

37x Analog 960H PTZ

SPSD-A3704NC-S2



Weather Proof - IP67

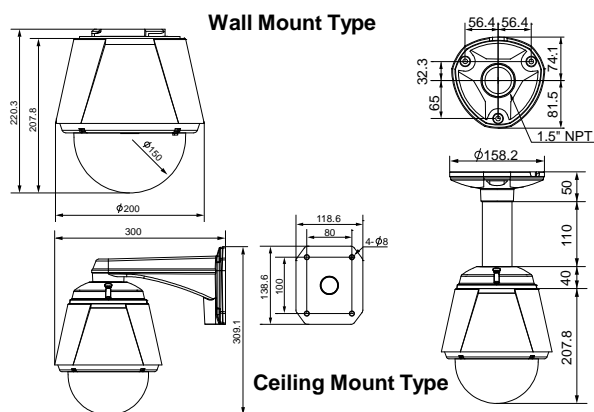
Key Features

- 1/4" SONY 960H Super HAD II Double scan CCD
- Optical x37 / Digital x32
 - f = 3.35mm ~ 124mm / F1.6(wide) ~ F4.5(tele)
- 700TVL resolution
- Superior camera functions
 - Day & Night(ICR)
 - Wide Dynamic Range (512x)
 - Digital Noise Reduction (2D + 3D)
 - Digital Image stabilization
- Fast & Silent motion
- No accumulate error with preset function(255 presets)
- Max 500°/sec P/T speed and 0.05°/sec manual speed
- 8 patterns , 10 swings and 8 Groups
- Weatherproof : IP67
- True Day & Night with ICR (IR Cut Filter)
- Power : DC 12V / 1.8A or AC 24V / 1.8A

Ordering Information

- SPSPD-A3704NC-S2: NTSC , Indoor / Outdoor
- SPSPD-A3704PC-S2: PAL , Indoor / Outdoor

Dimensions(mm)



Technical Specifications

Model	SPSD-A3704NC-S2	SPSD-A3704PC-S2	
Signal Format	NTSC	PAL	
Camera	Image Device	1/4" 960H Super HAD II CCD(Double scan)	
	Effective Pixel	1028(H) x 508(V) / 520K	1028(H) x 596(V) / 610K
	H. Resolution	MIN. 700 TV Lines (Color) / MIN. 750 TV Lines (B/W)	
	S/N Ratio	More than 50 dB (AGC Off)	
	Zoom	Optical X37 and Digital X32	
	Focal Length	F1.6(Wide) / F4.5(Tele), f=3.35~ 124 mm	
	MIN. Illuminance	Color 0.5 Lux / BW 0.2Lux Color DSS 0.001 Lux / B/W 0.0004 Lux	
	Day & Night	Day / Night (IR Cut Filter) / Auto / Ext	
	Focus	Auto / One push / Manual	
	Exposure	Auto / Shutter PRI. / Iris PRI. / Manual	
	Shutter Speed	1/60(50) ~ 1/10000 SEC. (x2 ~ x512 SENS-Up)	
	AGC	Off / On (Max 30dB)	
	White Balance	Auto / One push / Indoor / Outdoor / Manual	
	WDR / BLC	On / Off	
	Flickerless	Selectable	
	DNR	Off / Manual / Auto	
	Privacy Mark	Off / 16 Masks	
	Motion Detection	Off / 3 Positions	
	DIS	Off / On	
	Other functions	HLC / Mirror / Freeze / Scene mode / HR / Mirror / Sharpness / Brightness /	
Pan/Tilt	Range	Pan : 360°(Endless) / Tilt : 90°	
	Pan/Tilt Speed	Preset : 500°/ SEC.	
		Manual : 0.05° ~ 360°/ SEC. (Zoom Proportional)	
		Swing : 1° ~ 180°/ SEC.	
	Preset	255 Presets with Labels / Independent Preset Parameter Setup	
	Pattern	8 Patterns (Approximate 4 Minutes for Each Pattern)	
	Swing	10 Swings	
	Group	8 Groups (MAX. 40 Entries for Each Group)	
Other Functions	Auto Flip, Auto Parking, Power-up Action & etc.		
General	Communication	RS-485	
	Protocol	Pelco-D, Pelco-P Selectable	
	OSD	4 languages (English / Polish / French / Italian)	
	Dimension	Dome : ϕ 150 mm / ϕ 5.9"	
		Wall mount : 200(ϕ) x 408(H) mm / 7.87" (ϕ) x 16.1" (H) Ceiling mount : 300 x 309(H) mm / 11.8" x 12.2" (H)	
	Weight	Approximate 3.6 Kg / 7.9 lbs (With Wall mount Bracket) Approximate 3.4 Kg / 7.5 lbs (With Ceiling mount Bracket)	
	Material	Dome : Poly Carbonate / Housing : Aluminum	
	Fan & Heater	Built-in Fan : Always On Heater : On below Internal Temperature 10°C / 50°F	
	Operating Temp.	-30°C ~ 50°C / -22°F ~ 122°F	
	Power	DC 12V / 1.8A or AC 24V / 1.8A	
Sensor In/Out	3 Inputs (Photo Coupler Type) / 1 Output (Relay Type)		

All specifications are subject to change without notice